

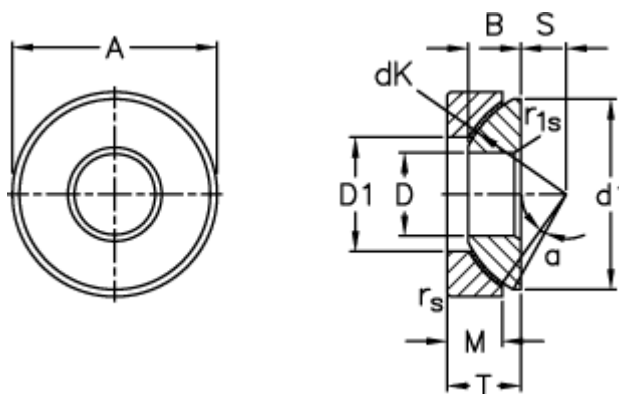
# Data Sheet



Article number: 03512160

Description: Fluro Rod end GE 160AW

## Measures



A	= 290 0 -0,035	rs, r1s min	= 1.5
B	= 66	S	= 65
D	= 160 0 -0,025	Static axial load C0 (kN)	= 5700
d1 max	= 271	T	= 77 +0,25 -0,70
D1 min	= 200	Tilt angle	= 2
dK	= 313	Weight	= 23200
Dynamic axial load C (kN)	= 3800		
M	= 58		